



Reggiani HYPER

**Digital Printer for Direct Printing
on Fabric and Paper**

The **fastest**
quality ever

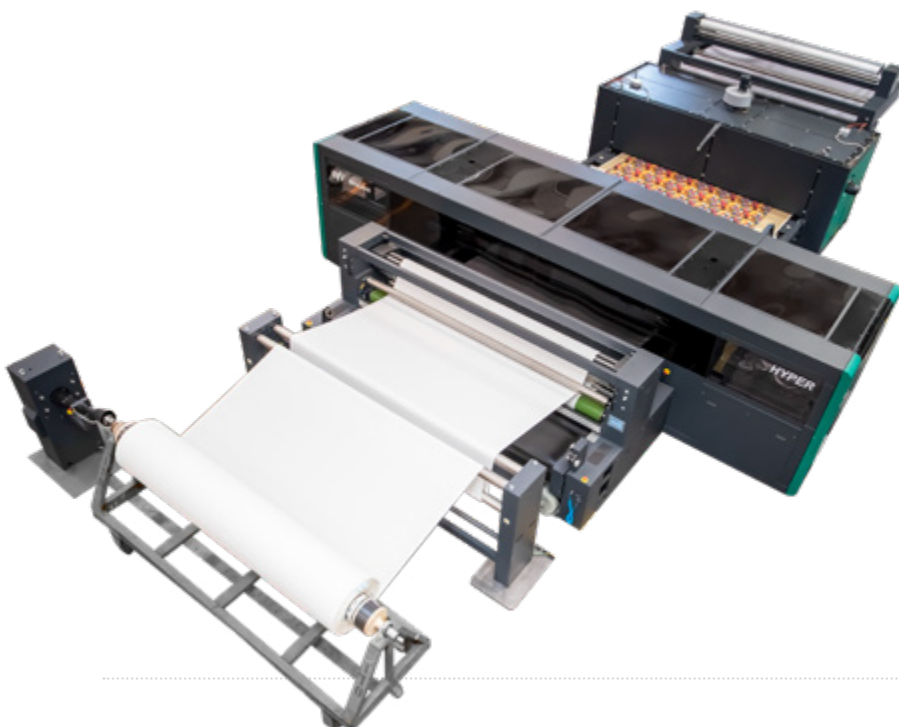
Hyper quality and productivity beyond limits

Override your limits with outstanding printing quality, extreme design possibilities and the unparalleled speeds of the EFI™ Reggiani HYPER scan digital textile printer.

The EFI Reggiani HYPER is the fastest scan digital textile printer in the market. Thanks to 72 new print heads available only on the HYPER and EFI Reggiani's legacy continuous ink recirculation system, it is also a champion for uptime and reliability, maximising the printer's availability for production with excellent printing results.

At a glance

- Fastest scan digital printer in the market, reaching an actual production speed of 828 lm/h
- 72 new print heads available only on the HYPER with recirculation to the nozzle plate so it's always ready to print
- Proprietary continuous ink recirculation system to reduce maintenance at start up and during production
- Outstanding printing quality and extreme design versatility thanks to a wide range of printing modes
- Longitudinal belt movement control for superior printing accuracy



APPLICATIONS	
Apparel and accessories	✓
Home textile	✓
Sportswear & footwear	✓
Outdoor	✓

INKS	
Reactive	✓
Disperse direct	✓
Acid	✓
Disperse sublimation	✓
Pigment	✓

SUBSTRATES	
Cotton	✓
Polyester	✓
Polyamide	✓
Silk	✓
Viscose	✓
Polyester and elastane	✓
Polyamide and elastane	✓
Blends	✓
Wool	✓
Sublimation paper	✓

Print heads and ink system

- 72 recirculation print heads with 600 dpi native resolution
- Full variable drop size
- Enhanced auto-calibrating continuous ink recirculation system
- Ink management: in-line continuous degassing and filtering
- Print head crash protective system
- Innovative print head maintenance system, featuring contactless wiping

Fabric handling

- EFI Reggiani exclusive dynaplast roll compensating step vs. continuous movement
- High-precision transportation belt
- Embedded magnetic system for adhesive application
- EFI Reggiani original longitudinal belt movement control
- Belt washing with both continuous and stop-and-go capabilities with air blade included

Printing carriage

- Double bridge for maximum stability and accuracy
- Easy carriage access for smooth maintenance on all the print heads
- Integrated environmental sensor for constant humidity and temperature monitoring

Electronics and software

- EFI Reggiani proprietary electronics and software
- Real-time image processing: no image pre-calculation
- Printing parameters and geometry change on the fly
- High uniformity printing modes
- Job editor: what you see is what you get at each and every moment
- Reporting and diagnostics available from GUI
- Possibility to monitor and export all printing and printer data to an external DB or ERP
- Suitable for integration in Industry 4.0 projects

EFI REGGIANI HYPER 1.5M					
Resolution	Pass	STANDARD SPEED LM/H	STANDARD SPEED SQM/H	FAST SPEED* LM/H	FAST SPEED* SQM/H
600x300	1	1121	1682	1312	1968
600x600	2	689	1034	828	1242
600x900	3	490	735	553	830
600x1200	4	372	558	416	624

EFI REGGIANI HYPER 3M					
Resolution	Pass	STANDARD SPEED LM/H	STANDARD SPEED SQM/H	FAST SPEED* LM/H	FAST SPEED* SQM/H
600x300	1	869	2607	1050	3150
600x600	2	512	1536	633	1899
600x900	3	358	1074	422	1266
600x1200	4	270	810	317	951

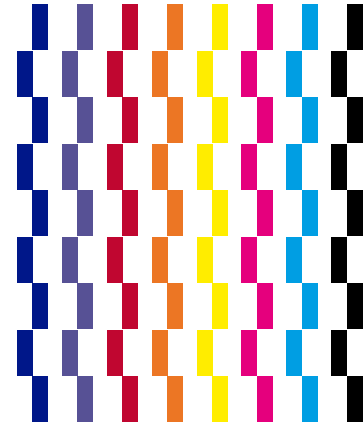
* Maximum speed (1 pass) represents a draft mode. Fast speed mode powered by a selection of EFI Reggiani Genuine Inks.

SPECIFICATIONS

Printing width	180, 240, 340 cm
Production speed	Up to 828 lm/h
Print heads	72
Printing resolution	Up to 600 x 2400 dpi
Fabric weight	From 30 to 450 gr/sqm
Fabric feed (Entry)	Small roll unwinder up to \varnothing 400 mm Big roll unwinder (A frame) up to \varnothing 1,600 mm Fold
Fabric take-up (Exit)	Fold Small roll winder up to \varnothing 400mm Big roll winder (A frame) up to \varnothing 1600
Dryer	Industrial double section dryer Symmetric ventilation and high efficiency exhaust capacity Heating sources available: gas, electricity, oil and steam

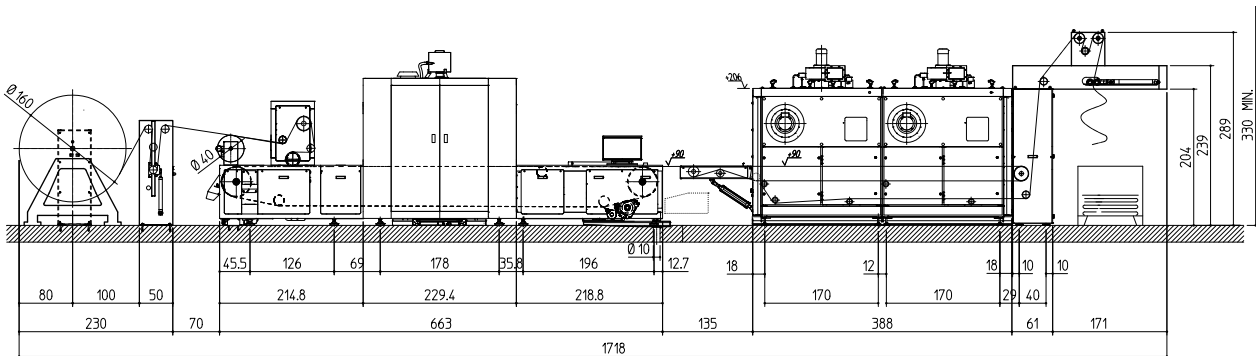


8 COLOURS
72 HEADS
9 EACH ROW



*Further colour configurations available.

EFI Reggiani HYPER: Regulatory model ReNOIR 180, ReNOIR 240, ReNOIR 340
More options for sublimation paper configuration



Let's be brilliant. Together.

We understand you want breakthrough technologies to lead you through your digital journey. That's why we're passionate about driving your business growth with a scalable portfolio of products, solutions, services, support, and world-class partnerships for the manufacturing of signage, packaging, textiles, ceramic tiles, and building materials with a wide range of printers and inks. Our unwavering commitment is to increase your profits, cut costs, improve productivity, and optimise efficiency — job after job, year after year. We're obsessed with your success. And we definitely believe we have the right people, technology and experience to help your business achieve its goals. Visit www.efi.com/reggiani or call +39 035 3844511 for more information.



Nothing herein should be construed as a warranty in addition to the express warranty statement provided with EFI products and services.

AutoCal, Best Eye, ColorGuard, ColorPASS, ColorRight, ColorWise, Command WorkStation, Cretachrom, Cretaprint, the Cretaprint logo, Cretaprinter, Cretaroller, Divisional Graphics, Distancing Graphics, DocBuilder, Dynamic Wedge, EDOX, EFI, the EFI logo, Electronics For Imaging, FabriVU, Fast-4, FASTRIP, FASTDRIVE, Fiery, the Fiery logo, Fiery Compose, Fiery Driven, the Fiery Driven logo, Fiery Edge, Fiery Essential, Fiery HyperRIP, Fiery Impose, Fiery Impress, Fiery ImageViewer, Fiery Intensify, Fiery JobExpert, Fiery JobFlow, Fiery JobMaster, Fiery Navigator, Fiery Prep-it, Fiery Prints, the Fiery Prints logo, Fiery TrueBrand, FreeForm, Inkintensity, Inkware, IQ, MicroPress, OneFlow, PressVu, PrintMe, the PrintMe logo, Prograph, ProGraphics, RIPChips, RIP-While-Print, SafeGuard Graphics, Spot-On, Spot Pro, UltraDrop, UltraPress, UltraTex, UltraVu, UV Series 50, VUTEK, the VUTEK logo, and WebTools are trademarks or registered trademarks of Electronics For Imaging, Inc. and/or its wholly owned subsidiaries in the U.S. and/or certain other countries.

All other terms and product names may be trademarks or registered trademarks of their respective owners and are hereby acknowledged.