



*efi*

Reggiani VOGUE

Digital Printer for  
Direct Printing on Fabric

In VOGUE

# What you need is what's in **VOGUE**

EFI™ Reggiani VOGUE is the perfect printer for industrial productivity without compromising on flexibility. Its most fashionable qualities? The innovative ink recirculation system reduces ink and maintenance costs during machine operation and between stoppages. Plus, the new printing software and the high uniformity printing modes ensure real time image processing and high quality results. What's more, VOGUE masters speed and tension for the most accurate fabric handling you've ever experienced.

## At a glance

### Enhanced ink recirculation system

- Dramatic reduction of maintenance needs and stoppages
- Increased tolerance to environmental conditions
- Superior versatility to manage a wider variety of inks

### EFI Reggiani printing software

- Real-time image processing
- Printing parameters and geometry change on the fly
- Easy-to-plan and flexible queue and job list
- Ink consumption and speed prediction before printing

### Proprietary print head electronics

- Embedded in a fully enclosed protection cap with single cable
- Easy print head removal and simplified print carriage layout
- Quick and tool free print head alignment

### Integrated environmental sensor

- Monitors temperature and humidity in the printing chamber with on-screen reporting
- Warns the operator when values are exceeding the set point

### Industry 4.0 friendly

Possible to install plug & play sensors and smart actuators for diagnostics and predictive maintenance

APPLICATIONS	
Fashion	✓
Home textile	✓
Sportswear and footwear	✓
Outdoor	✓
INKS	
Reactive	✓
Acid	✓
Disperse direct	✓
Textile pigment	✓

SUBSTRATES	
Cotton	✓
Polyester	✓
Polyamide	✓
Silk	✓
Viscose	✓
Polyester and elastane	✓
Polyamide and elastane	✓
Blends	✓
Wool	✓



## Features

- 16 print heads with full variable drop size
- Ink management: in-line continuous degassing and filtering
- Add Ink tanks refill on the fly without stopping the printer
- Print head crash protective system
- High-precision transportation belt
- Exclusive mini dynaplast to compensate step vs continuous movement
- Adhesion methods: thermoplastic, permanent, resin
- Embedded magnetic system for adhesive application
- Steel beam with linear motor and magnetic encoder
- High efficiency dryer
- Ink system open to certified suppliers
- Possibility to monitor and export all printing and printer data to an external DB or ERP
- Software open to main RIP vendors

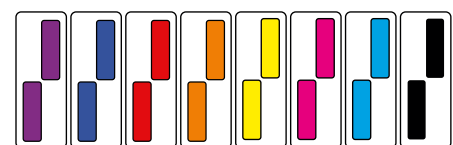
## Advantages

- Small footprint on a single block
- Quick set up time and superior reliability
- Reduced purging and maintenance needs
- Tolerant to more environmental conditions
- Easy access to main machine modules
- Suitable for 24/7 operation
- One operator can manage multiple machines

## Improvements

- Automatic substrate width detection **NEW**
- Belt washing with both continuous and stop-and-go capabilities with air blade
- Flexible queue management
- Innovative and more user-friendly adaptive GUI with advanced queuing features
- Job editor: what you see is what you get in each and every moment
- Enhanced high uniformity printing modes **NEW**
- Integrated environmental sensor
- Integrated water filtration system
- Ink supply system with feeding by tanks max 12 litre integrated inside the printer
- Components with double CE and UL/CSA **NEW** certification, guaranteeing high quality standards recognised worldwide

VOGUE			
RESOLUTION	PASS	LM/H	SQM/H
600 x 600	2	215	325
600 x 900	3	145	220
600 x 1200	4	105	160



\*Further colour configurations available

## Specifications

- Printing width: 180 cm
- Production speed up to 325 sqm/h
- Print heads: 16
- Drop size from 4 to 72 pl
- DPI up to 2400
- Fabric weight from 30 to 350 gr/sqm (woven and knitted)

## Fabric configuration

### Fabric feed (entry):

- Roll unwinder up to  $\varnothing$  400 mm
- Big roll unwinder (A frame) up to  $\varnothing$  1.600 mm

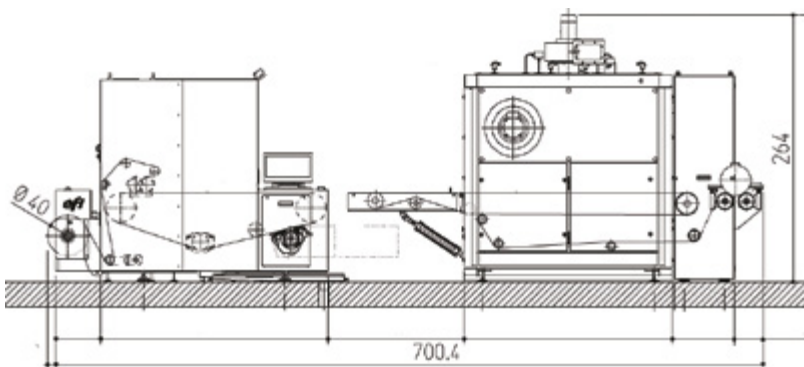
**NEW**

### Fabric take-up (exit):

- Fold
- Roll winder up to  $\varnothing$  400 mm
- Fold and roll winder up to  $\varnothing$  400 mm (optional)

### Dryer – one industrial chamber

One industrial chamber with conveyor belt with one or three passages



## Let's be brilliant. Together.

We understand you want breakthrough technologies to lead you through your digital journey. That's why we're passionate about driving your business growth with a scalable portfolio of products, solutions, services, support, and world-class partnerships for the manufacturing of signage, packaging, textiles, ceramic tiles, and building materials with a wide range of printers and inks. Our unwavering commitment is to increase your profits, cut costs, improve productivity, and optimise efficiency — job after job, year after year. We're obsessed with your success. And we definitely believe we have the right people, technology and experience to help your business achieve its goals. Visit [www.efi.com/reggiani](http://www.efi.com/reggiani) or call +39 035 3844511 for more information.



Nothing herein should be construed as a warranty in addition to the express warranty statement provided with EFI products and services.

AutoCal, Best Eye, ColorGuard, ColorPASS, ColorRight, ColorWise, Command WorkStation, Cretachrom, Cretaprint, the Cretaprint logo, Cretaprinter, Cretaroller, Divisional Graphics, Distancing Graphics, DocBuilder, Dynamic Wedge, EDOX, EFI, the EFI logo, Electronics For Imaging, FabriVu, Fast-4, FASTRIP, FASTDRIVE, Fiery, the Fiery logo, Fiery Compose, Fiery Driven, the Fiery Driven logo, Fiery Edge, Fiery Essential, Fiery HyperRIP, Fiery Impose, Fiery Impress, Fiery ImageViewer, Fiery Intensify, Fiery JobExpert, Fiery JobFlow, Fiery JobMaster, Fiery Navigator, Fiery Prep-it, Fiery Prints, the Fiery Prints logo, Fiery TrueBrand, FreeForm, Inkintensity, Inkware, IQ, MicroPress, OneFlow, PressVu, PrintMe, the PrintMe logo, Prograph, ProGraphics, RIPChips, RIP-While-Print, SafeGuard Graphics, Spot-On, Spot Pro, UltraDrop, UltraPress, UltraTex, UltraVu, UV Series 50, VUTEK, the VUTEK logo, and WebTools are trademarks or registered trademarks of Electronics For Imaging, Inc. and/or its wholly owned subsidiaries in the U.S. and/or certain other countries.

All other terms and product names may be trademarks or registered trademarks of their respective owners and are hereby acknowledged.

© 2023 ELECTRONICS FOR IMAGING, INC. ALL RIGHTS RESERVED. | [WWW.EFI.COM](http://WWW.EFI.COM)

AC\_81\_05\_23\_UK